

All stainless steel gas actuated thermometer Model S5500

According to EN 13190
Nominal size 100 mm or 160 mm
With or without capillary/contacts
Accuracy: Class 1 (EN) dry
Class 2 (EN) liquid filled

Features

- Rugged stainless steel construction
- Fast response
- Protection IP65
- High repeatability and small hysteresis
- Dry or liquid filled
- Rigid stem or bulb with capillary

Ranges

-200 ... 50 °C up to 0 ... 800 °C
-330 ... 120 °F up to 50 ... 1450 °F

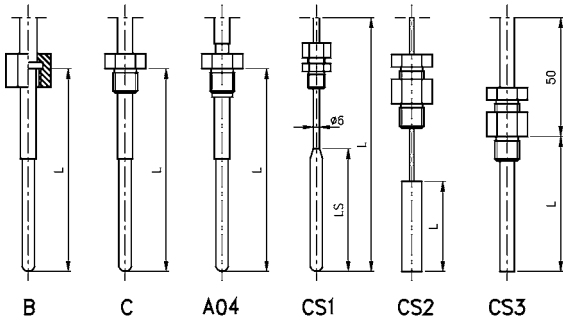
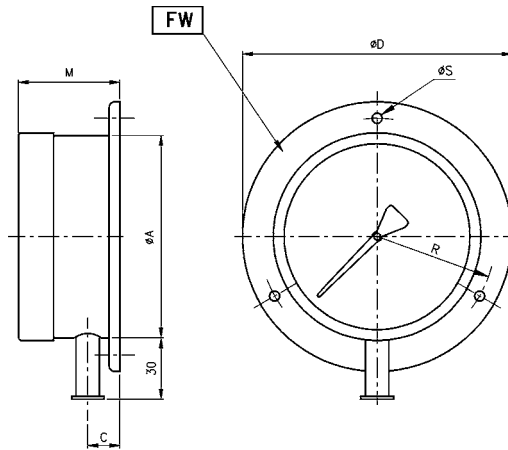
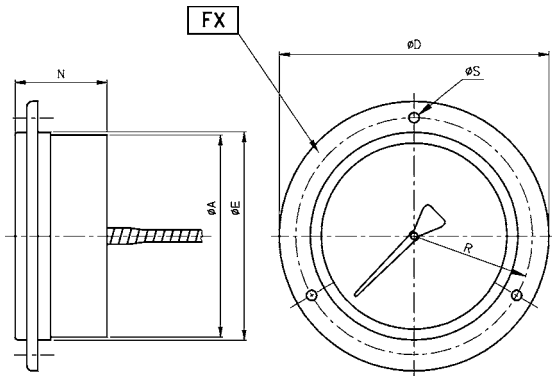
Applications

Chemical and petrochemical industry
Machine and apparatus construction
Food and beverage industry
Pulp and paper industry



Technical specification	Rigid stem		With capillary																																											
	100	160	100	160																																										
Dial size [mm]	100	160	100	160																																										
Construction	Cylindrical case with bayonet ring																																													
Measuring principle	Inert gas actuated																																													
Range [°C]	0/60 0/80 0/100 0/120 0/160 0/200 0/250 0/300 0/400 0/500 0/700 0/800 -10/50 -10/110 -20/40 -20/100 -20/120 -20/180 -30/50 -30/70 -30/170 -40/40 -40/60 -40/160 -50/50 -60/40 -80/40 -100/50 -120/40 -200/50 Ranges in °F and dual scales on request																																													
Overtemperature limit	Max. 130 % F.S. but max. 800 °C, optional 210 % F.S. but max. 800 °C																																													
Stem or bulb diameter	6 mm, 8 mm, 9 mm, 10 mm, others on request																																													
Lengths	55 ... 4000 mm, other length on request, min. length depends on bulb and range																																													
Capillary length	N.A.		Max. 100 m																																											
Process connection	Plain G ½ B male, G ¾ B male, G 1B male according to ISO 228-1 ½ NPT male, ¾ NPT male, 1 NPT male according to ANSI/ASME B1.201 M20x1,5 male, M24x1,5 male, M27x2 male according to ISO 68-1 Others on request Fixed, adjustable union or with swivel nut																																													
Connection location	Back, lower, knee joint bendable (180°), knee joint bendable (360°)																																													
Material	<table border="0"> <tr> <td>Connection</td> <td colspan="3">Stainless steel 304 (1.4301)</td> <td rowspan="4">Stainless steel 321 (1.4541) Flexible, 304 (1.4301), or 316 (1.4401) optional PVC covered</td> </tr> <tr> <td>Stem</td> <td colspan="3">Stainless steel 321 (1.4541)</td> </tr> <tr> <td>Case/ring</td> <td colspan="3">Stainless steel 304 (1.4301), optional 316 (1.4401)</td> </tr> <tr> <td>Capillary</td> <td colspan="3"></td> </tr> <tr> <td>Armor</td> <td colspan="3"></td> <td></td> </tr> <tr> <td>Window</td> <td colspan="4">Instrument glass, optional laminated safety glass or acrylic glass</td> </tr> <tr> <td>Dial</td> <td colspan="4">Aluminum, black markings on white background</td> </tr> <tr> <td>Pointer</td> <td colspan="4">Aluminum, black, optional micrometer pointer or maximum pointer</td> </tr> <tr> <td>Movement</td> <td colspan="4">Stainless steel 304/303 (1.4301/1.4305)</td> </tr> </table>				Connection	Stainless steel 304 (1.4301)			Stainless steel 321 (1.4541) Flexible, 304 (1.4301), or 316 (1.4401) optional PVC covered	Stem	Stainless steel 321 (1.4541)			Case/ring	Stainless steel 304 (1.4301), optional 316 (1.4401)			Capillary				Armor					Window	Instrument glass, optional laminated safety glass or acrylic glass				Dial	Aluminum, black markings on white background				Pointer	Aluminum, black, optional micrometer pointer or maximum pointer				Movement	Stainless steel 304/303 (1.4301/1.4305)			
Connection	Stainless steel 304 (1.4301)			Stainless steel 321 (1.4541) Flexible, 304 (1.4301), or 316 (1.4401) optional PVC covered																																										
Stem	Stainless steel 321 (1.4541)																																													
Case/ring	Stainless steel 304 (1.4301), optional 316 (1.4401)																																													
Capillary																																														
Armor																																														
Window	Instrument glass, optional laminated safety glass or acrylic glass																																													
Dial	Aluminum, black markings on white background																																													
Pointer	Aluminum, black, optional micrometer pointer or maximum pointer																																													
Movement	Stainless steel 304/303 (1.4301/1.4305)																																													
Accuracy	Class 1 (dry) , Class 2 (liquid filled) according to EN 13190																																													
Zero adjustment	±6 % externally																																													
Protection according to EN 60 529/IEC 529	IP65																																													
Filling liquids	Glycerin, silicone																																													
Weight dry/filled [kg]	0,8/1,0 (stem length 100 mm)	1,2/3,0 (stem length 100 mm)	1,0/1,2 (stem length 100 mm, capillary 1,5 m)	1,4/3,2 (stem length 100 mm, capillary 1,5 m)																																										
Accessories, options	Thermowells, dual scales, magnet spring- or inductive contacts, built in microswitch 1 or 2 SPDT, calibration certification																																													

General dimensions [mm]



	A	C	D	E	M	N	R	S
NG 100	99	13	132	103	50	45	58	5
NG 160	159	13	196	164	50	45	89	6

minimum bulb length

bulb diameter	6 mm	8 mm	9 mm	10 mm
direct mount or capillary up to 5 m	190 mm	90 mm	68 mm	55 mm
capillary over 5 m	on request	170 mm	130 mm	100 mm

Rev. E

Order information

Size	Bulb diameter	Length of bulb/stem	Length of capillary	Process connection	Connection size	Connection orientation	Range	Engineering units	Options
(100) 100 mm	(6) 6 mm	55 to 4000 mm	length in [mm] max. 100 m	(CS1) Adjustable union connection sliding on tube ¹⁾	(50) G ½ B	(L) Lower	0/ 60	°C	(NH) Tagging wired
	(75) G ¾ B				(R) Back	0/ 80 0/ 100	(DA) Dial marking		
(160) 160 mm	(8) 8 mm			(CS2) Adjustable union connection sliding on capillary	(10) G 1 B	(E1) Knee joint bendable (180°)	0/ 120 0/ 160 0/ 200 0/ 250 0/ 300 0/ 400 0/ 500 0/ 700 0/ 800		(CS) Dual scale
	(9) 9 mm				(50N) ½ NPT	(E2) Knee joint bendable (360°)			(PD) Acrylic glass
	(10) 10 mm				(75N) ¾ NPT				(SG) Safety glass
					(10N) 1 NPT				(MP) Micro pointer
				(B) Turning nut	(M20)M20x1,5		-10/ 50 -10/ 110 -20/ 40 -20/ 100 -20/ 120 -20/ 180 -30/ 50 -30/ 70 -30/ 170 -40/ 40 -40/ 60 -40/ 160 -50/ 50 -60/ 40 -80/ 40 -100/ 50 -120/ 40 -200/ 50		(A4) Capillary stainless steel armored
				(C) Single nipple	(M24)M22x1,5				(A5) Capillary stainless steel armored with PVC covering
				(A04) Turning nipple	(M27)M27x2				(FX) Front flange
									(FW) Back flange
									(FH) Surface mounting bracket L = 100 mm
									(UC) U-clamp
									(EP) Maximum pointer
others on request				¹⁾ length of bulb (LS) must be specified.	others on request			°F and dual scale on request	

How to order

Size	Type	Bulb diameter	Length of bulb/stem	Length of capillary	Process connection	Connection size	Connection orientation	Range	Engineering unit	Option
100	S5500	8	100	1500	CS2	50N	L	0/100	C	FW

DRESSER EUROPE GmbH Instruments

Germany
Max-Planck-Str. 1, D-52499 Baesweiler
P.O. Box 11 20, D-52490 Baesweiler
Tel.: +49 (0) 2401 808-0, Fax: +49 (0) 2401 808-125

France
„206“ ZA Le Mandinet Rue des Campanules
F-77185 Lognes
Tel.: +33 (0) 1 60 37 25 30, Fax: +33 (0) 1 60 37 25 39

Website: www.dresserbae.de

United Kingdom
East Gillibrands
Skelmersdale, Lancashire WN8 9TU
Tel.: +44 (0) 16 95 52 600, Fax: +44 (0) 16 95 52 693

e-Mail: sales@dresserbae.de